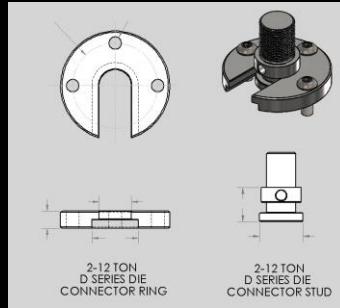




MAGNUM P R E S S

PO Box 317 - Adamsville, TN 38310 - www.magnumpress.com - 731-632-1285 731-632-1283 fax



MCD Series

Bench Model Gap Frame Press

MCD Series Bench Model Gap Frame Hydraulic Press

When you need a simple and efficient bench model gap frame hydraulic press and our compact MCC series just doesn't have the dimensional real estate that you need, check out our MCD Series line of presses. The MCD Series is a classic HEAVY DUTY gap frame design hydraulic press with Unguided RAM and Anti-Rotation in a simple package. MCD Series presses feature low horsepower draw for efficient operation but they're still fast. Often referred to as a "C" frame hydraulic press, these compact hydraulic presses are available in standard model configurations from 2 ton to 40 tons. They are designed to be mounted on a separate stand or table. These self contained hydraulic presses are suitable for a wide variety of operations including assembly, blanking, coining, forming, punching, riveting and staking and they feature dimensions common on other presses for ease of integration into your plant. They're built tough for long life and use standard off-the-shelf components for simple maintenance. The Magnum MCD Series...not too big and not too small may be just the right press for you.

Standard Equipment:

- PLC with LCD-HMI based controls
- 2-Hand No-Tie-Down Start
- CAT 4 Safety Start Relay
- Adjustable Tonnage through full range of stroke
- Adjustable Stroke
- Pressure Reversal Mode
- Manual Setup Mode
- Industry Standard Components
- Hydraulic Decompression
- Self-Contained Removable Hydraulic Power Unit
- Visual Level/Temp Gauge
- Removable Bolster
- Lockable Disconnect
- NEMA enclosures
- TEFC EISA Compliant Electric Motor
- Manual Starter with Lockout and Overload Protection
- Single Point Power Connection
- Flat Face O-Ring Connections for leak resistant hydraulic system
- Female Threaded Rod End

Magnum Press has a long list of options that you can select from to customize your press the way you need it.

Optional Floor Stands with Adjustable Leveling Swivels:

- FS-01 fits 2-7 Ton Presses
33" wide x 24" deep x 27" high
- FS-02 fits 12-15 Ton Presses
40" wide x 30" deep x 25" high
- FS-03 fits 25-40 Ton Presses
50" wide x 36" deep x 23" high

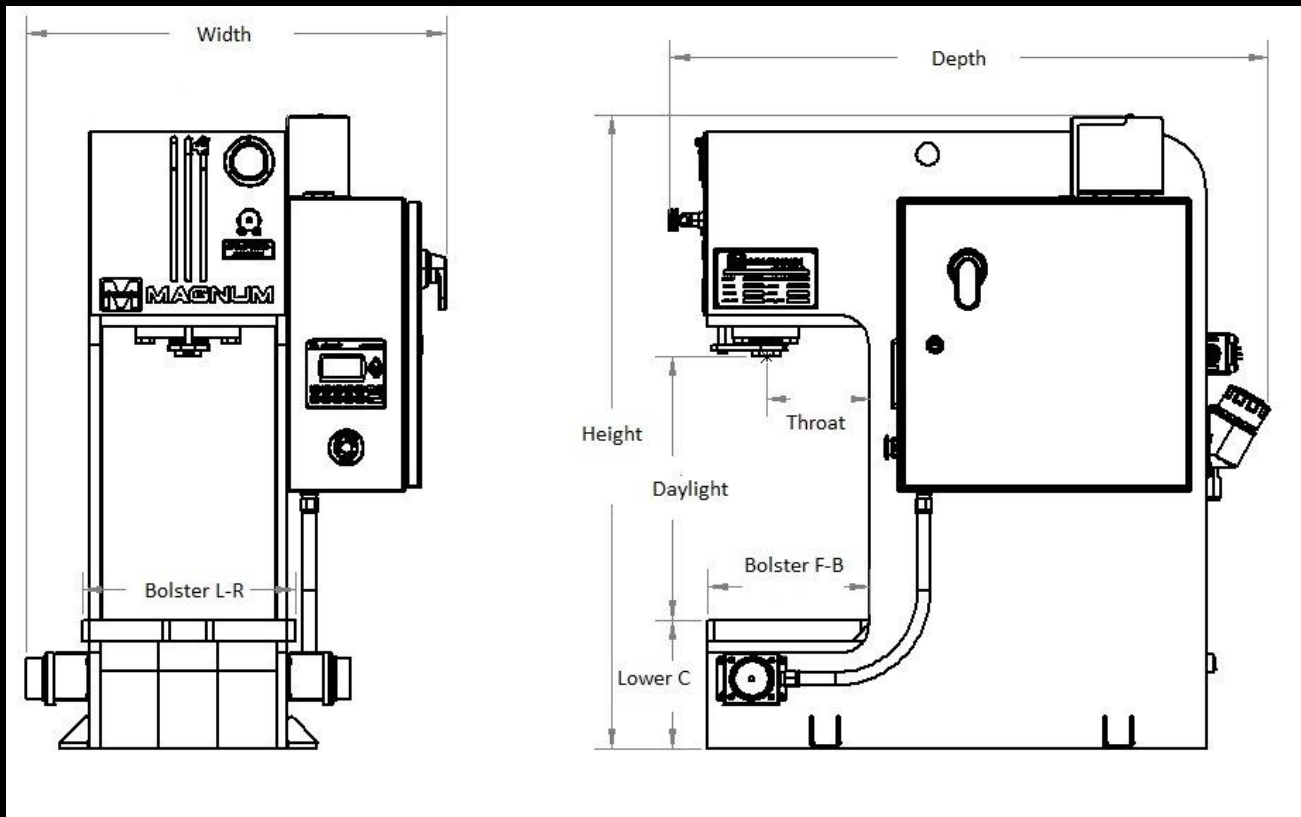
More Popular MCD Series Options

- Zero Force Opto Touch Palm Buttons with Finger Guards
- Full Perimeter Guarding with Light curtain front guarding and fixed guarding on both sides.
- Quick Change Connector Stud and Die Connector Ring
- Bolster Modifications



MAGNUM PRESS

PO Box 317 - Adamsville, TN 38310 - www.magnumpress.com - 731-632-1285 731-632-1283 fax



MODEL	MC-	D2-5	D4-5	D7-5	D12-5	D15-5	D15HS	D25HS	D40HS
Rated Tonnage (Adjustable)		2.7	4.7	7.4	12.4	18.8	18.8	29.5	42.4
Minimum Tonnage		0.5	0.9	1.5	2.5	3.8	3.8	5.9	8.5
STANDARD Inches Per Min (IPM)	Rapid	979	518	320	245	157	528	270	205
	Work	435	245	155	93	61	61	39	27
	Return	784	464	305	149	100	339	255	165
Cycles per Min (1")	.13" WORK	106	88	72	42	34	53	36	31
Cycles per Min (4")		61	42	30	18	13	30	20	15
Stroke (in. adjustable)		7	7	7	7	7	7	7	7
Daylight (in)		18	18	18	18	18	18	18	18
Shut Height (in)		11	11	11	11	11	11	11	11
Throat (in)		7	7	7	7	7	7	7	7
Bolster L-R (in)		14.5	14.5	14.5	14.5	15	15	23.5	23.5
Bolster F-B (in)		11	11	11	11	12.5	12.5	17	17
HP (1800 rpm)		5	5	5	5	5	5	5	5
Reservoir Capacity (gal)		12	12	12	12	12	12	12	12
Width (in)		30	30	30	30	31	31	37	37
Depth (in)		35	35	35	36	36	36	47	47
Height (in)		43	43	43	43	44	44	48	48
Approx Weight (lbs)		1000	1000	1000	1000	1260	1400	3700	3790
Lower 'C' Height (in)		8.75	8.75	8.75	8.75	9.75	9.75	12.5	12.5
Bolster Thickness (in)		1.5	1.5	1.5	1.5	1.5	1.5	2	2

Specifications subject to change without notice.