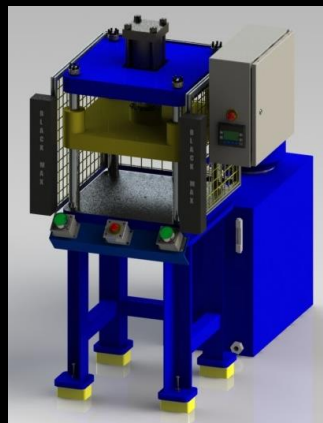




MAGNUM PRESS

PO Box 317 - 725 E. Main St., Adamsville, TN 38310 - www.magnumpress.com - 731-632-1285



Standard Equipment:

- Allen Bradley MicroLogix PLC with Panel View HMI based controls
- NFPA79 & UL508A Compliant Electrical Controls
- 2-Hand No-Tie-Down Start
- CAT 4 Safety Start Relay
- Adjustable Tonnage
- Adjustable Stroke
- Pressure and Distance Reversal Mode
- Manual Setup Mode
- Energy Saver Shut Down
- Top Stop Over-Run
- True 2 Speed Ram
- Electro-Hydraulic Decompression
- Self-Contained Hydraulic Power Unit
- Visual Level/Temp Gauge
- Lockable Disconnect
- NEMA enclosures
- TEFC EISA Compliant Electric Motor
- Magnetic Starter/ Electronic Overload
- Single Point Power Connection

Magnum Press has a long list of options that you can select from to customize your press the way you need it.

M4PS Series 45-250 Ton

4-Post Column Press with Precision Guided Slide Platen

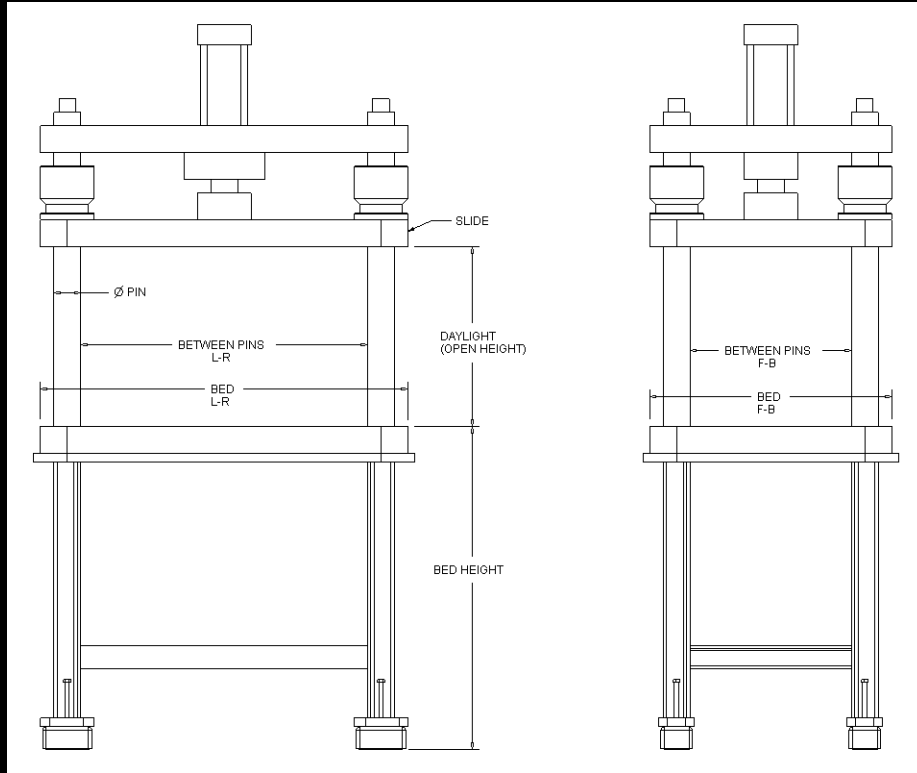
Four Post Column Style Post Press

Magnum hydraulic column presses feature rugged frame construction that is custom built to customers' exact requirement and they are designed to meet demanding production schedules with years of trouble free operation. Structural designs undergo rigorous analysis through Finite Element Analysis (FEA) design testing. Post presses can accommodate small to very large die space with frame designs and speeds to match the application. As frames are loaded they maintain superior bed to ram parallelism over gap frame presses. Post presses may be also be more cost efficient than traditional gap frame presses. M4PS presses feature precision ground shafting and slide platens with oversized honed bushings for tight clearance tolerances. 'Superbolt' multi-jack column tensioners are used in this rugged frame design. A wide range of hydraulic systems are used to meet specific performance. Industry standard components are used in hydraulic and electrical systems to insure a reliable system with readily available components when you need them.



MAGNUM PRESS

PO Box 317 - 725 E. Main St., Adamsville, TN 38310 - www.magnumpress.com - 731-632-1285



MODEL	M4PS-	45A	45B	60A	60B	95A	95B	140A	140B	190A	190B	250A	250B
Rated Tonnage (Adjustable)		48.1	48.1	62.8	62.8	98.2	98.2	141	141	192	192	251	251
IPM Ram Speeds	Rapid	494	806	478	666	411	507	315	388	294	353	353	382
	Press	87	135	74	103	66	81	46	56	50	60	46	58
	Retract	515	839	429	597	395	487	252	311	306	368	226	245
CPM (1")	0.13" WORK	79	79	75	75	71	71	57	57	57	57	54	54
CPM (2")		60	76	56	67	52	59	40	46	41	46	39	41
CPM (3")		48	64	45	55	42	48	31	37	32	37	30	32
CPM (4")		41	55	38	47	34	40	26	30	27	30	25	27
Stroke (in. adjustable)		-	-	-	-	-	-	-	-	-	-	-	-
Daylight (in)		-	-	-	-	-	-	-	-	-	-	-	-
Shut Height (in)		-	-	-	-	-	-	-	-	-	-	-	-
Between Pins L-R		-	-	-	-	-	-	-	-	-	-	-	-
Between Pins F-B		-	-	-	-	-	-	-	-	-	-	-	-
Width (in)		-	-	-	-	-	-	-	-	-	-	-	-
Depth (in)		-	-	-	-	-	-	-	-	-	-	-	-
Height (in)		-	-	-	-	-	-	-	-	-	-	-	-
Bolster Height (in)		-	-	-	-	-	-	-	-	-	-	-	-

Magnum column presses are built to customer specifications. Hydraulic systems can be matched to customer CPM and IPM specs other than chart performances. Daylight, stroke, bed height and between pin dimensions are customer specified.